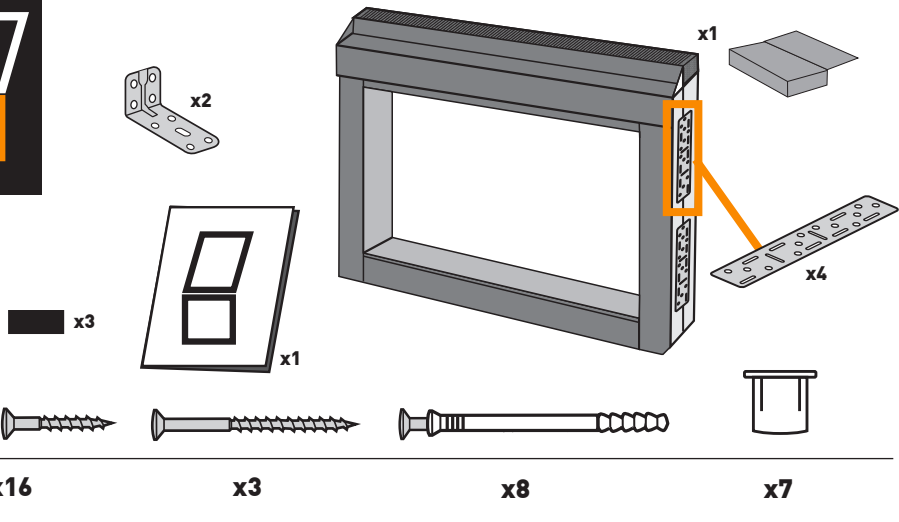
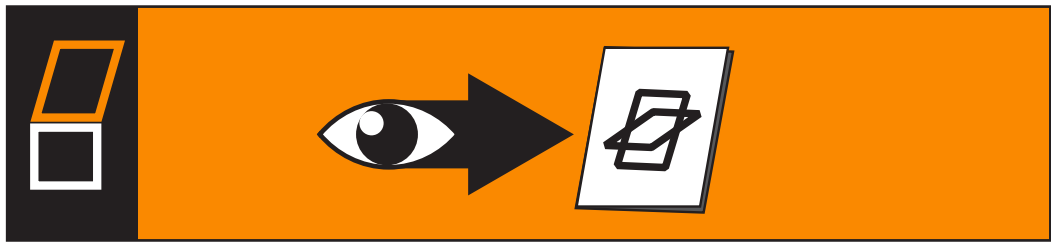


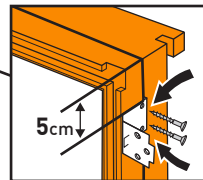
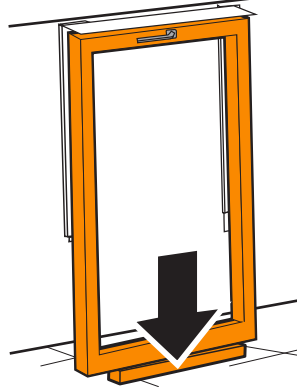
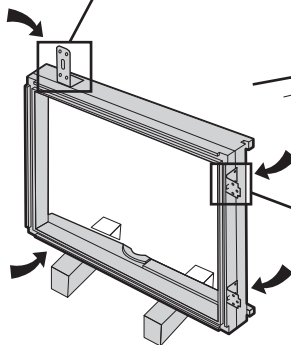
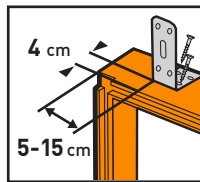
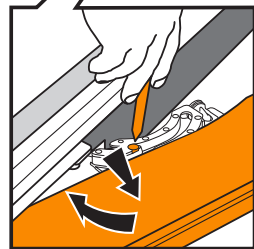
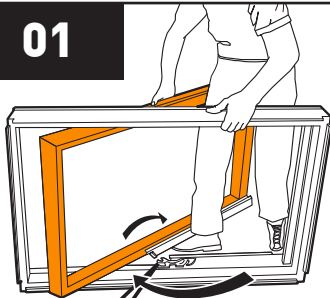
# VERTICA ENERGY



Roof windows for **smart professionals**

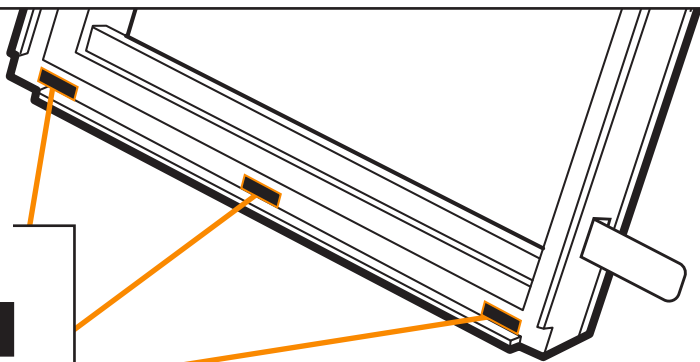


**01**

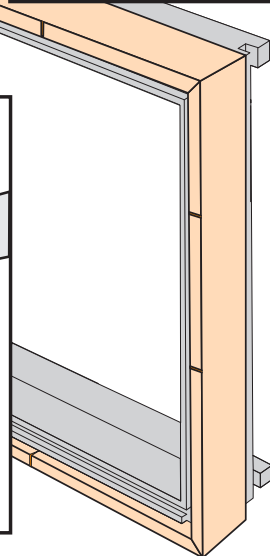
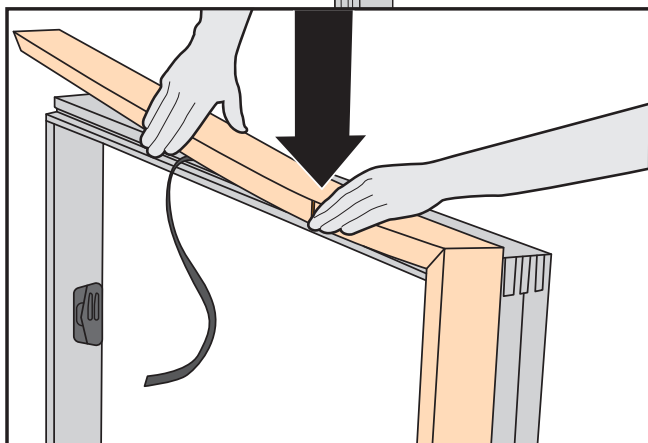
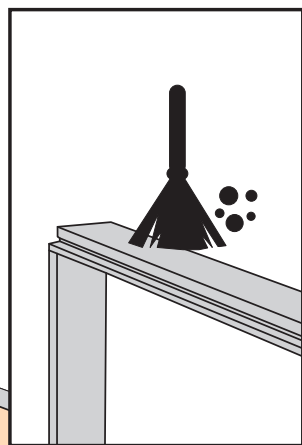



02

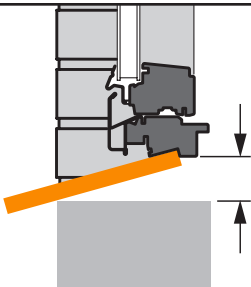
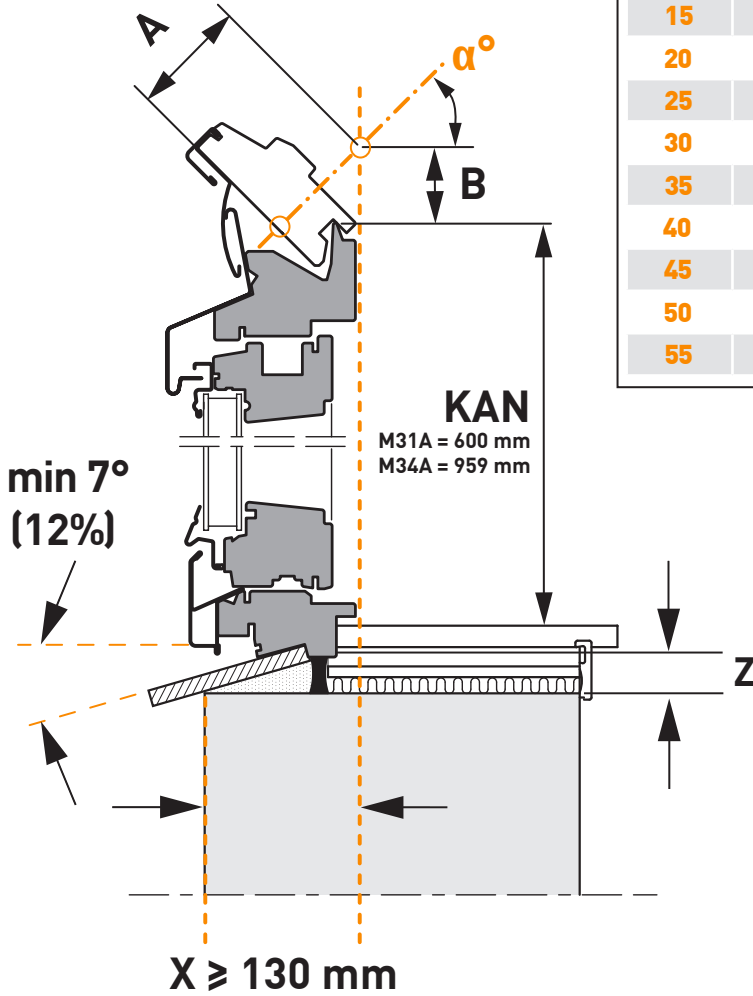
x3



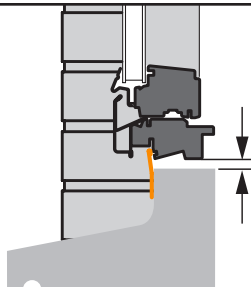
03



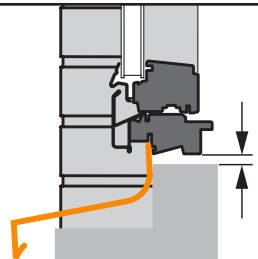
	A (mm)	B (mm)
15	45	35
20	50	35
25	55	40
30	60	40
35	65	45
40	70	50
45	75	55
50	85	65
55	95	70



**Z = min 35 mm**

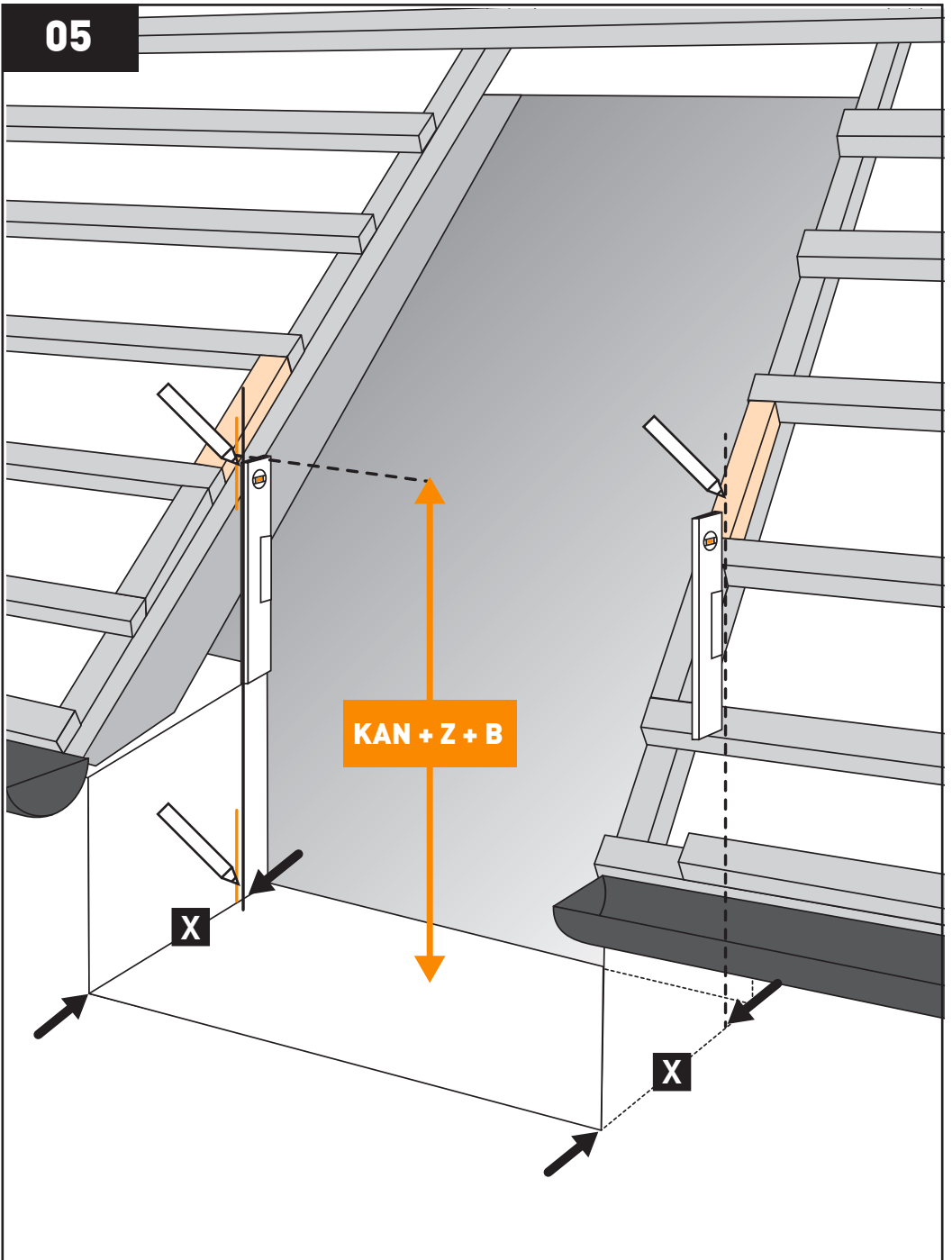


**Z = min 5 mm**



**Z = min 5 mm**

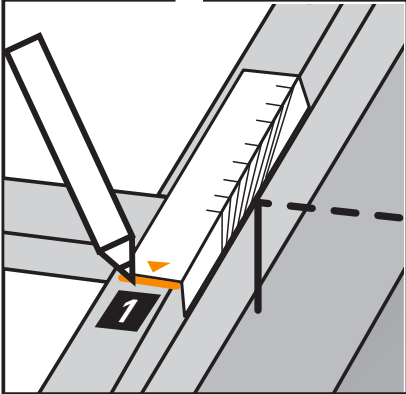
05



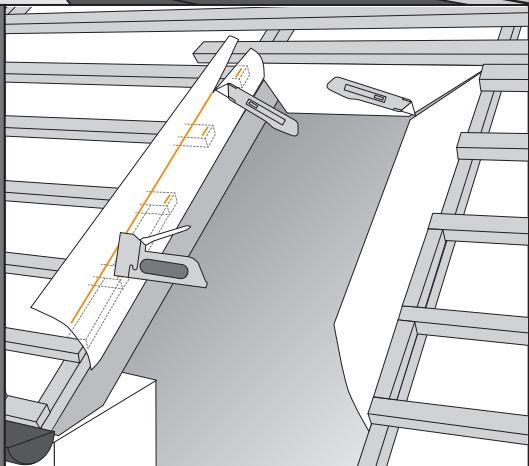
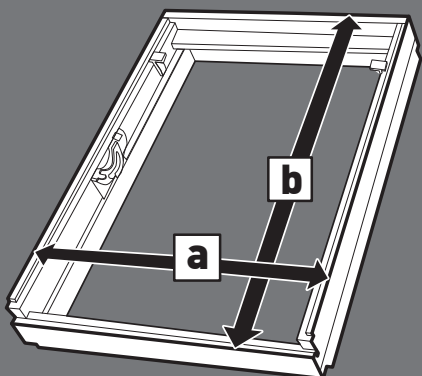
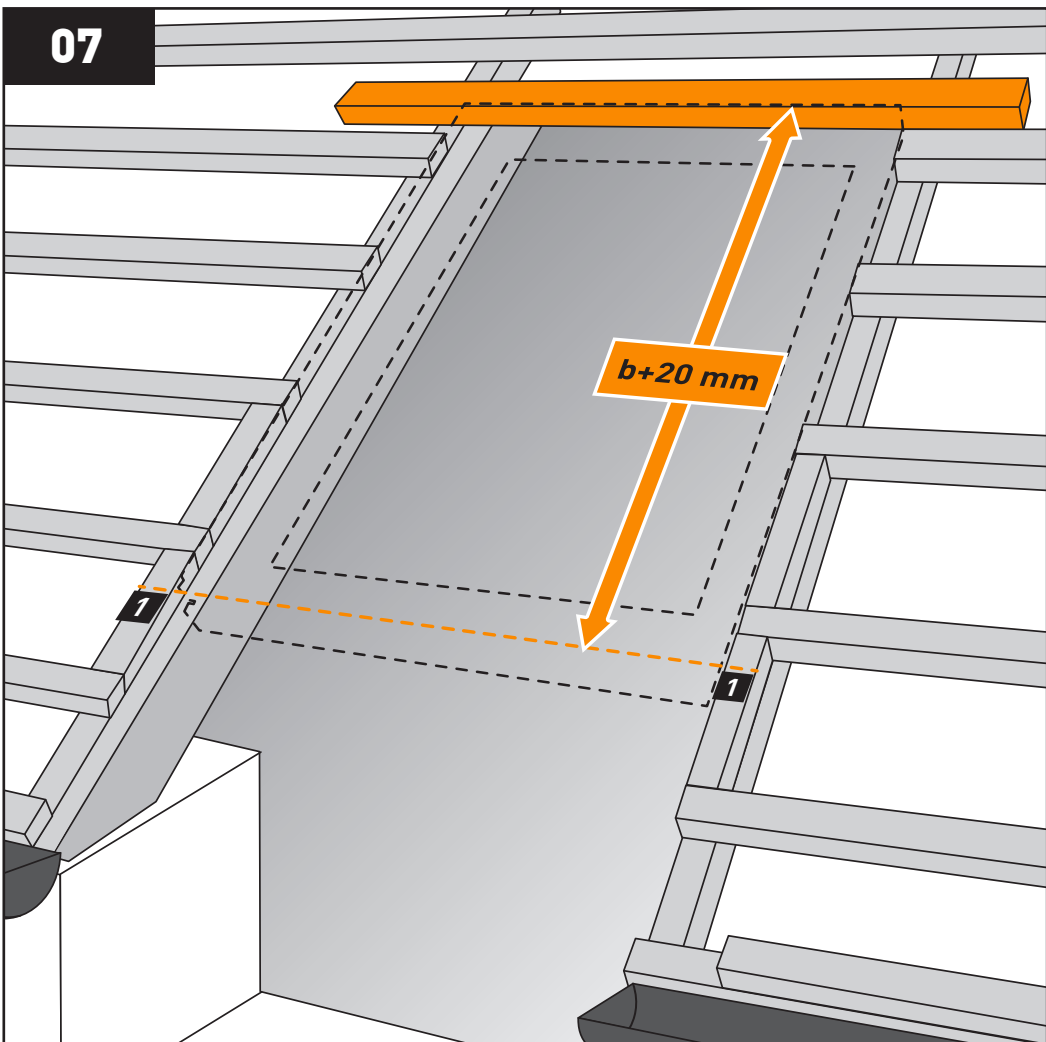
$X \geq 130 \text{ mm}$

06

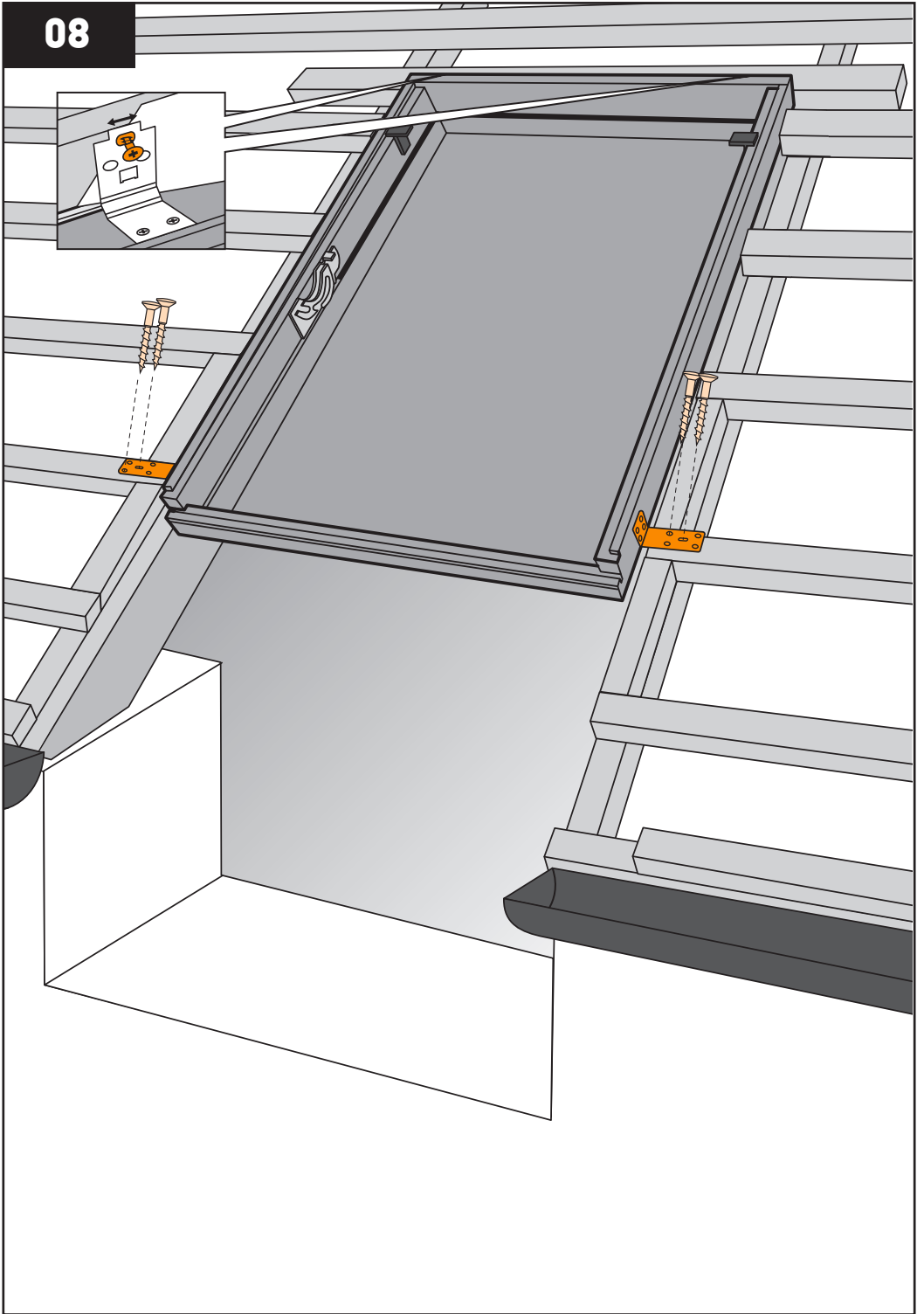
**KAN + Z + B**



07

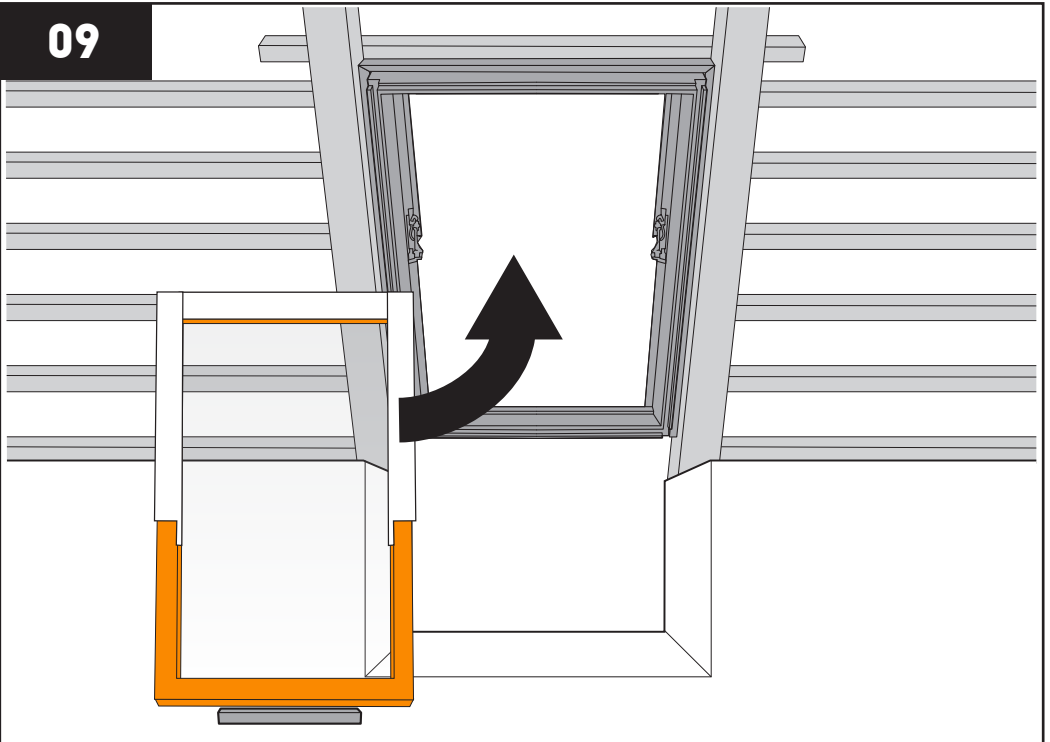


08

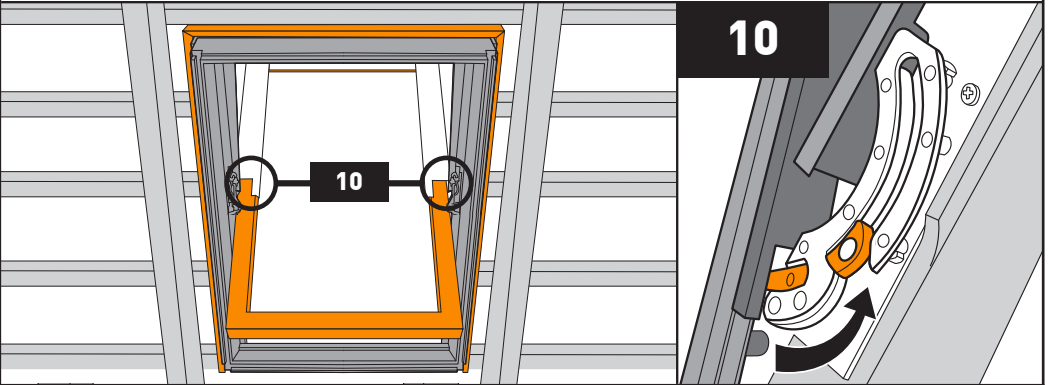




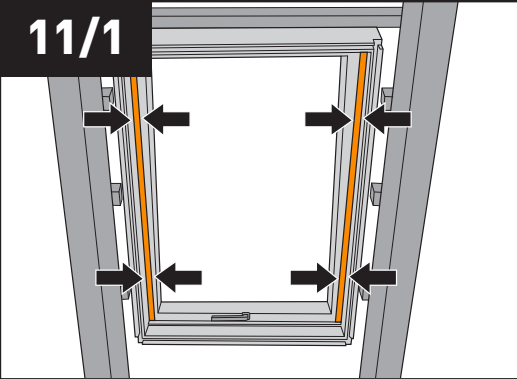
09



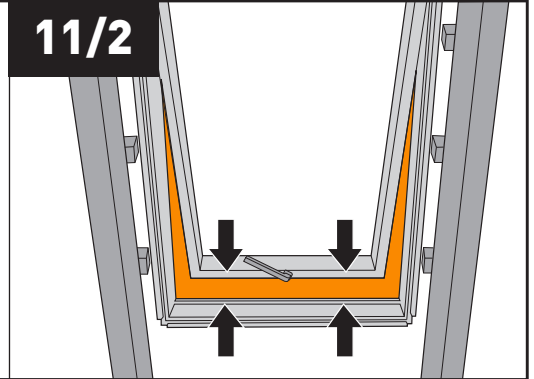
10



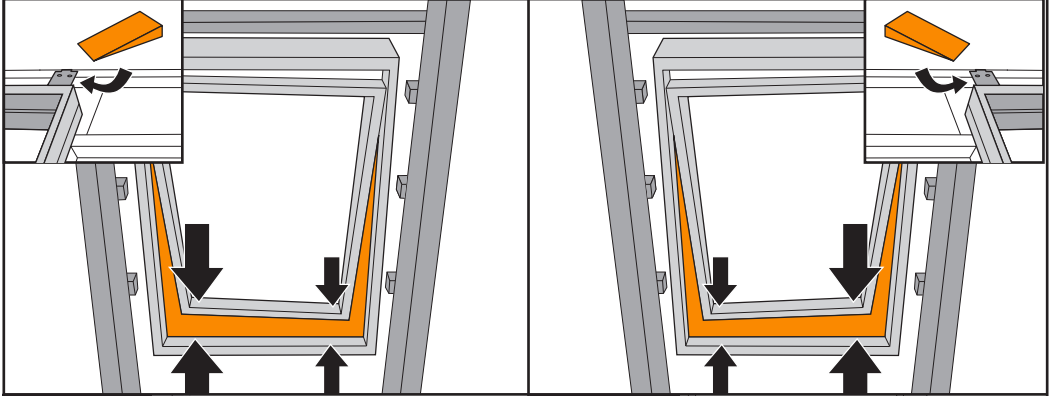
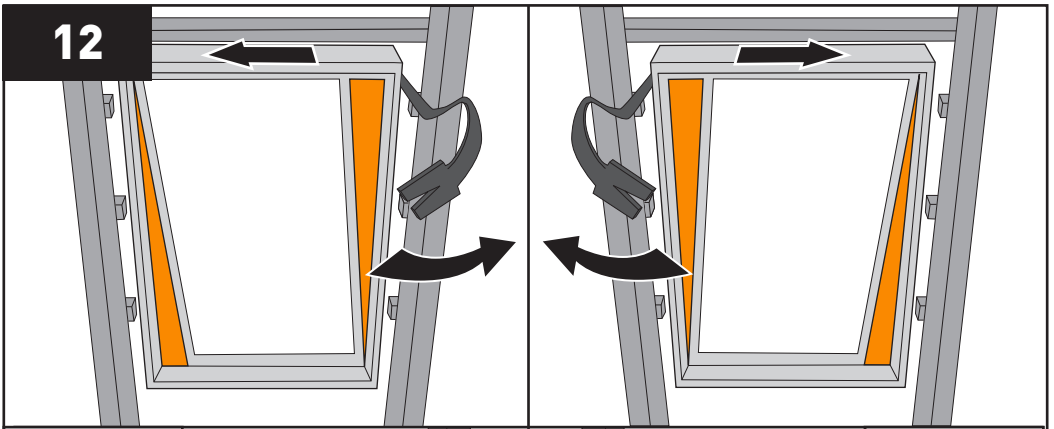
11/1



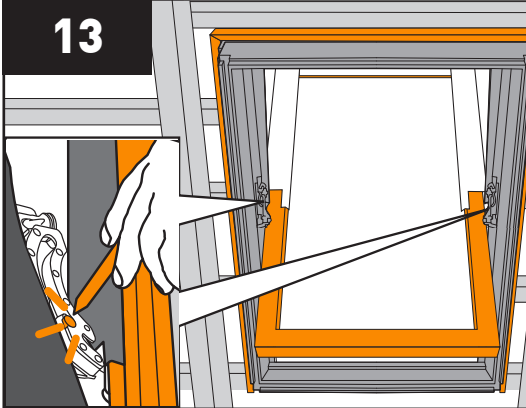
11/2



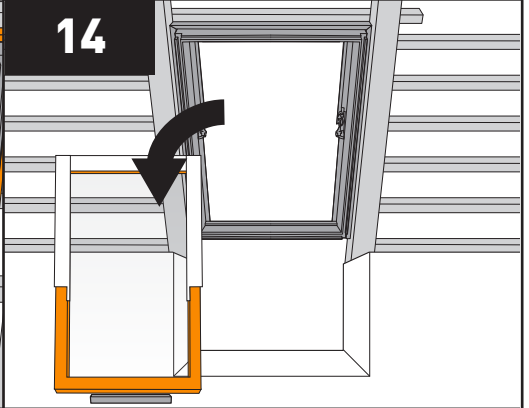
12



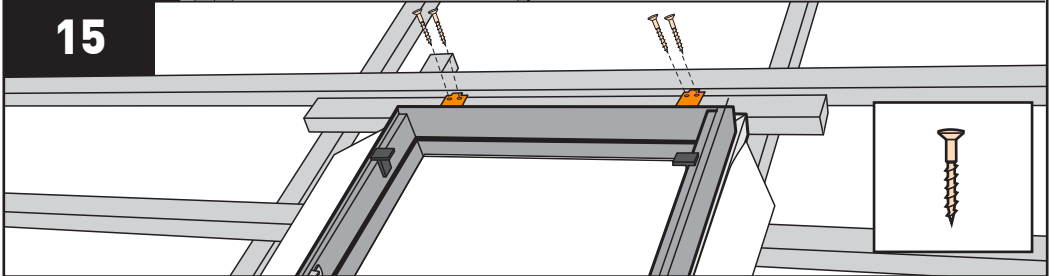
13



14



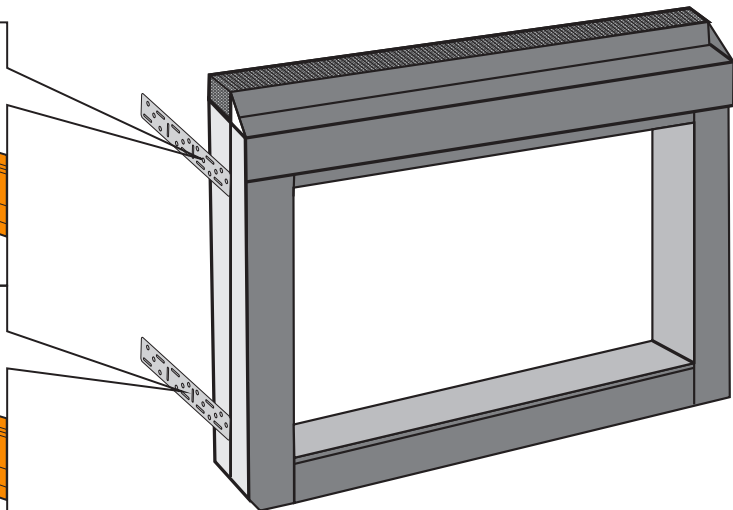
15



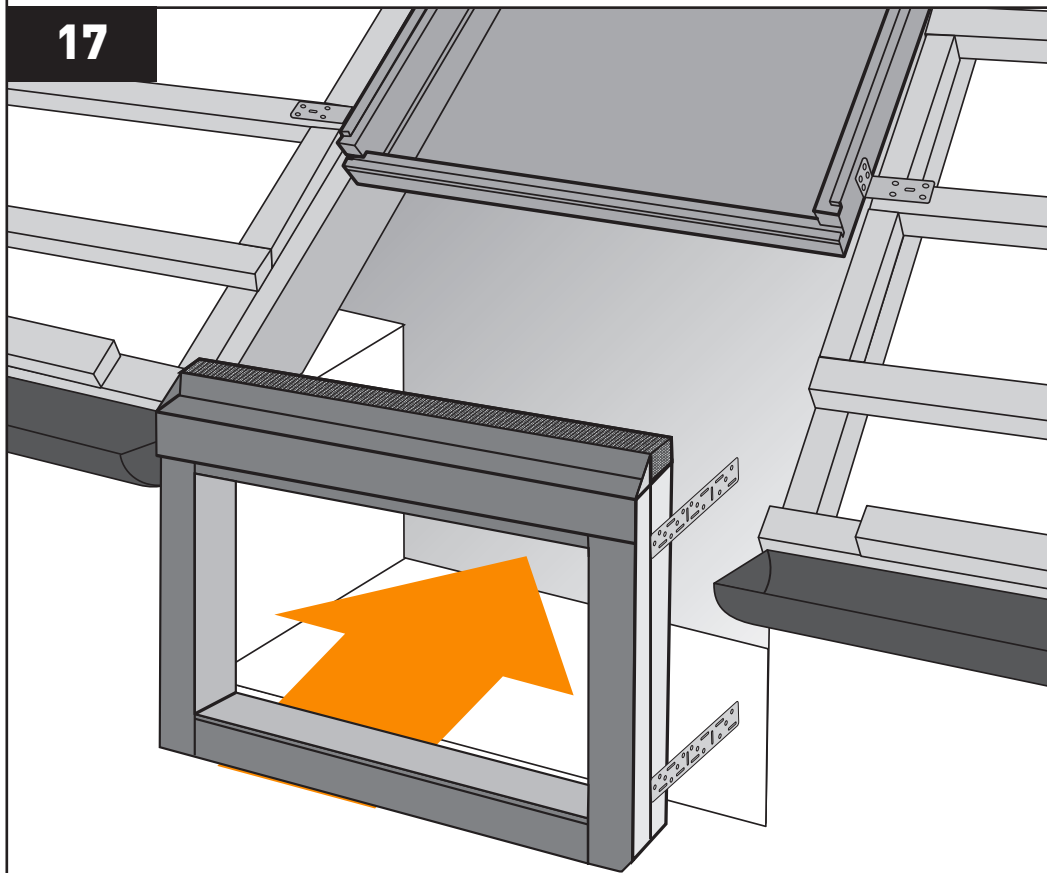
16

6 cm

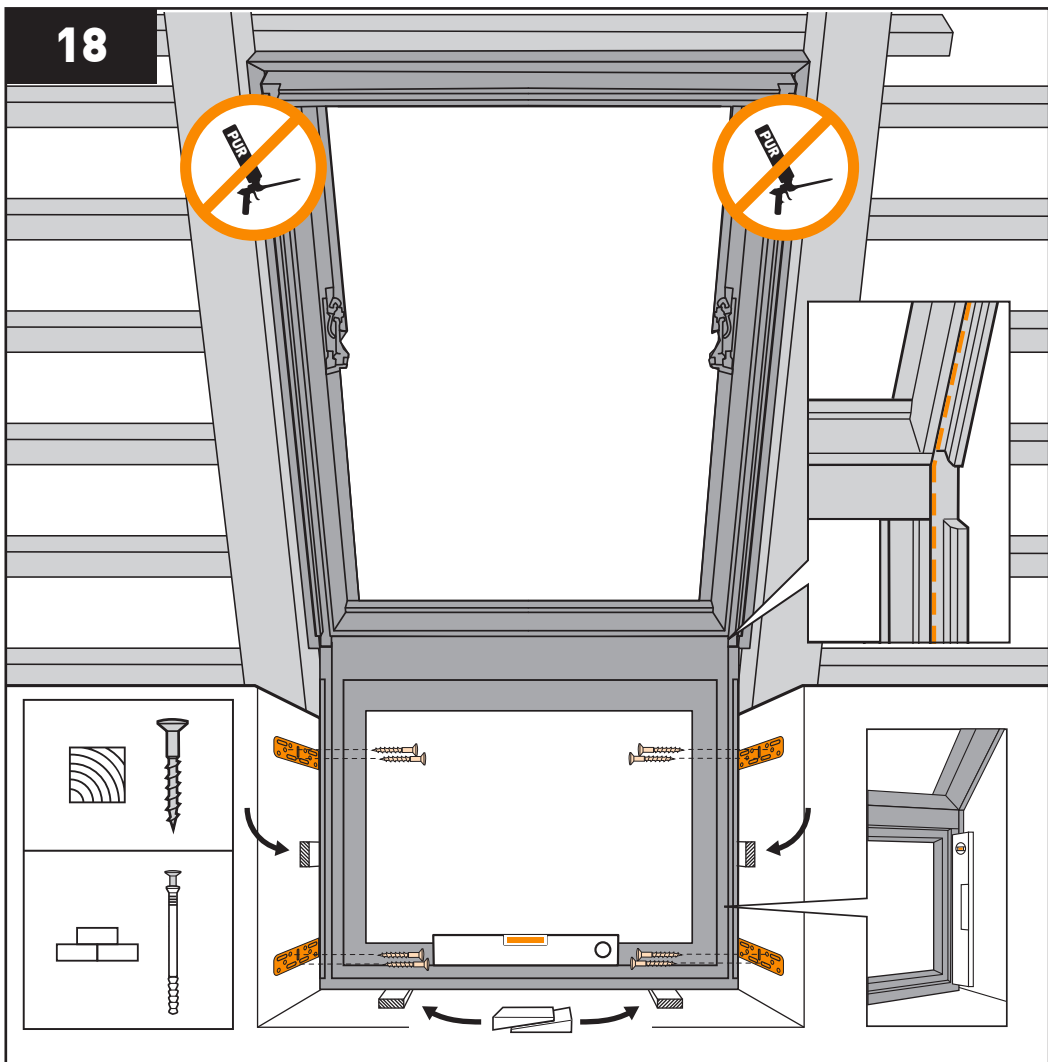
6 cm



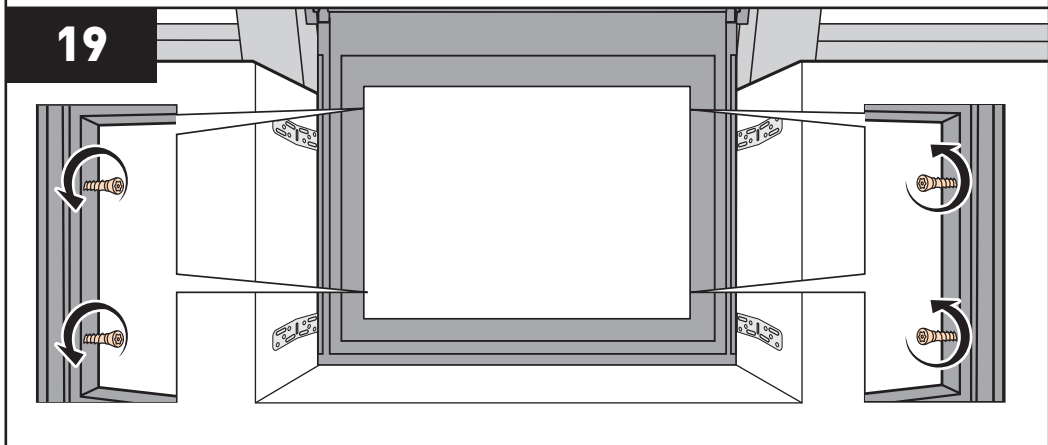
17



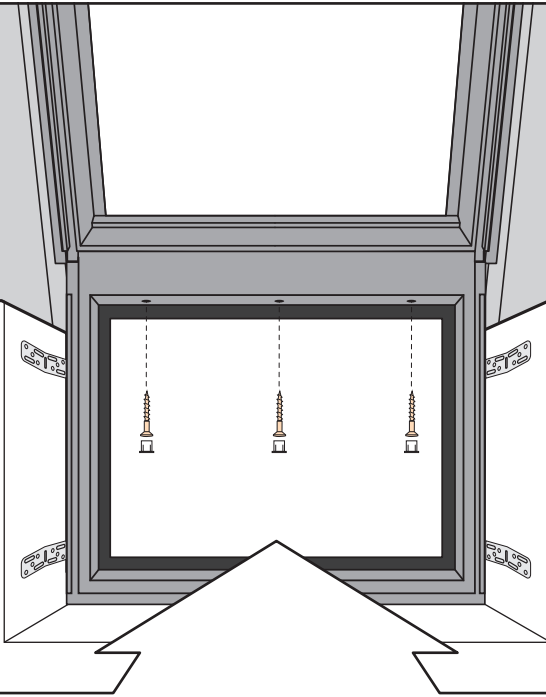
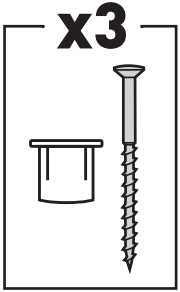
18



19



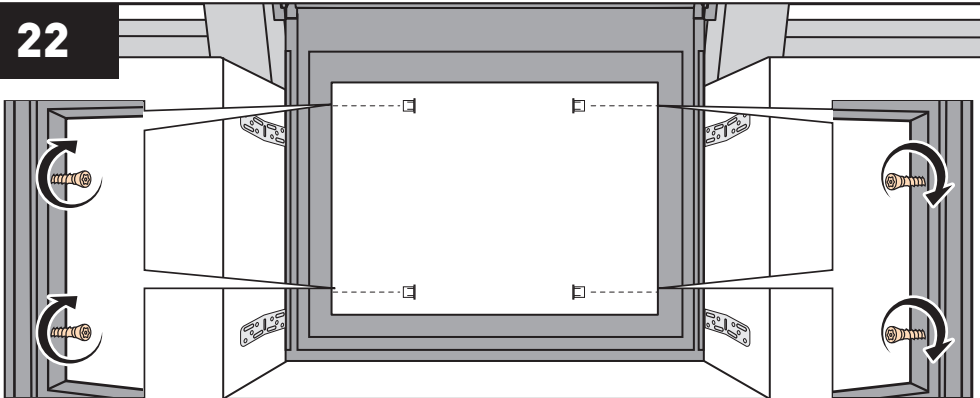
20



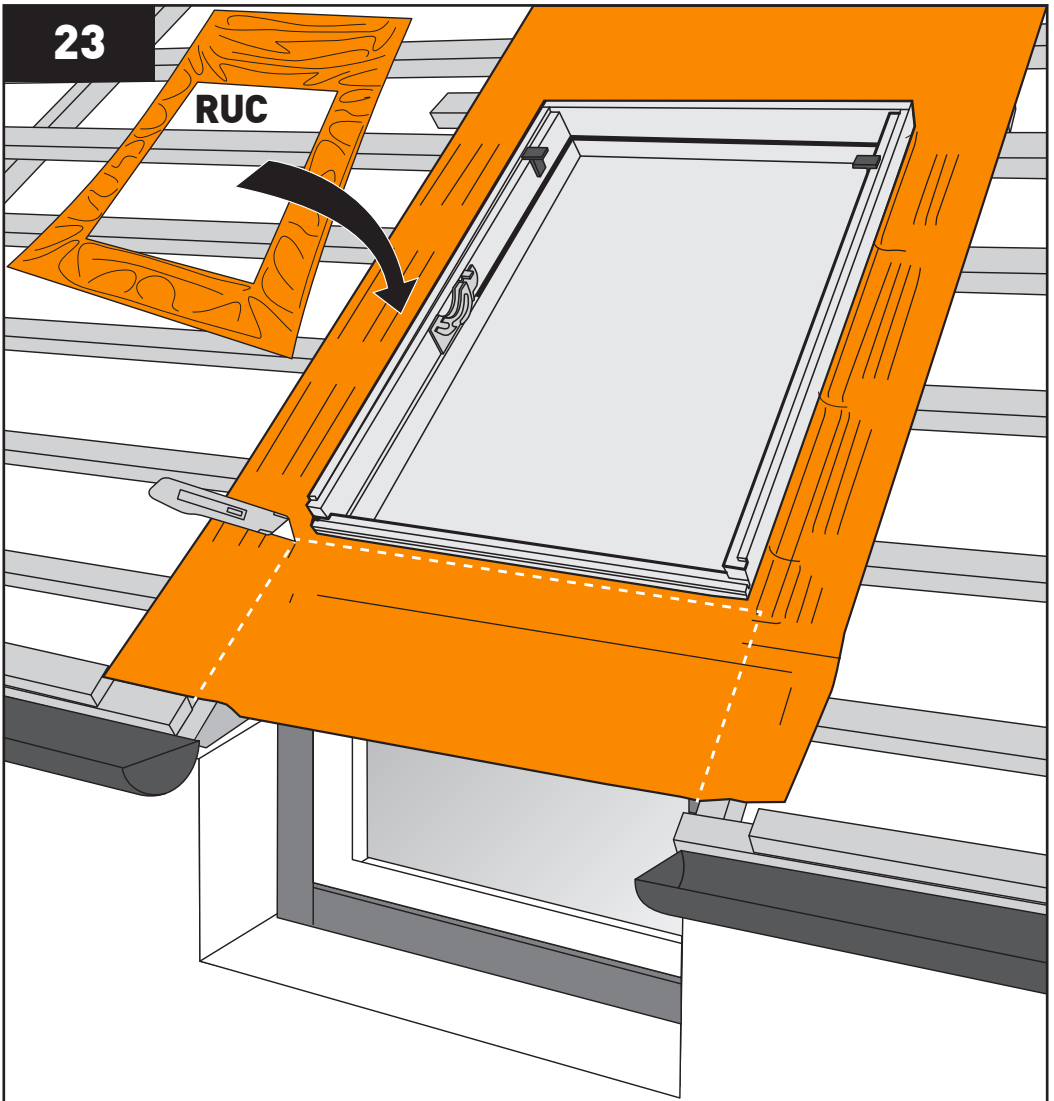
21



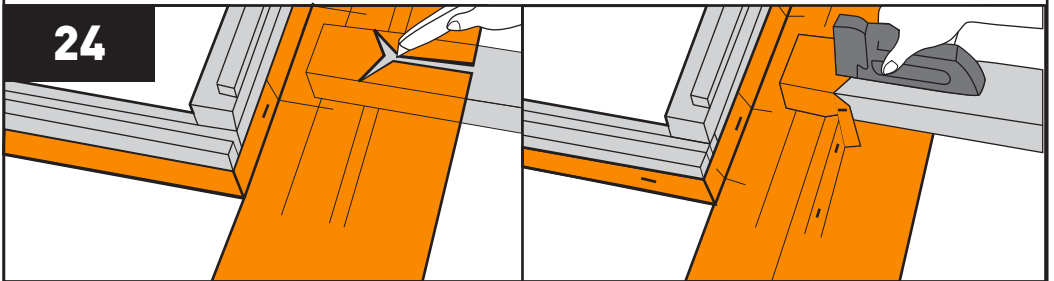
22



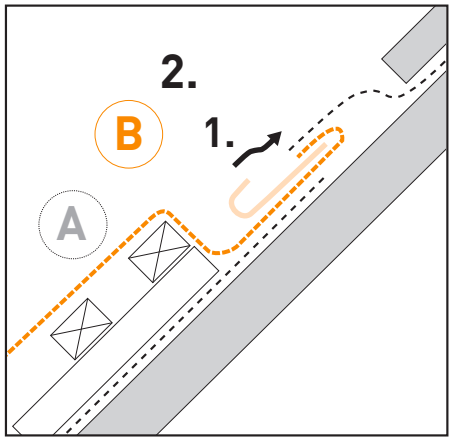
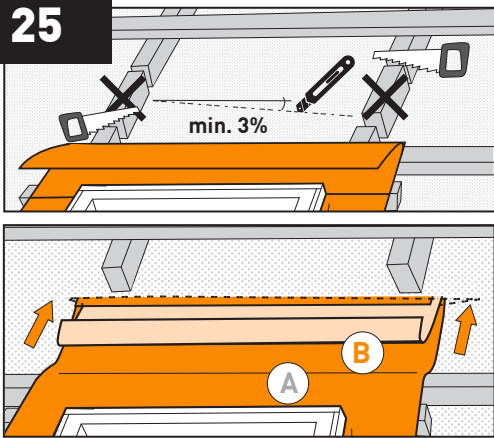
23



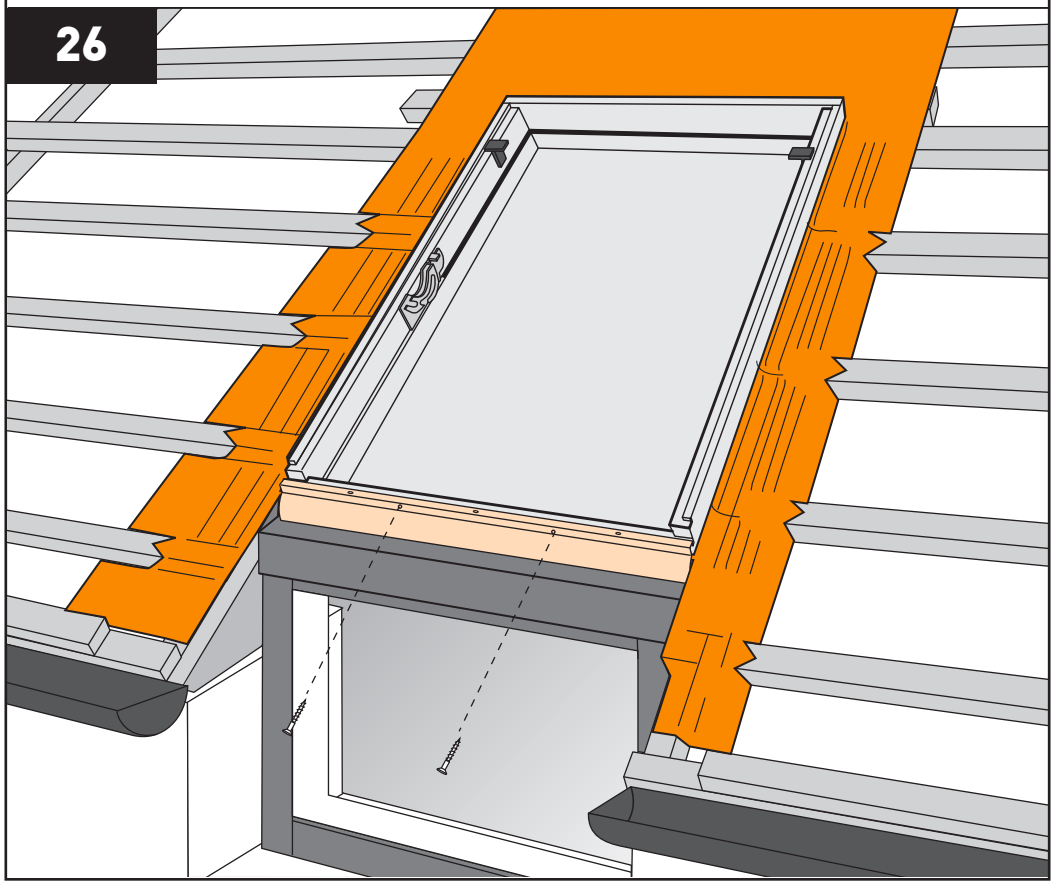
24



25



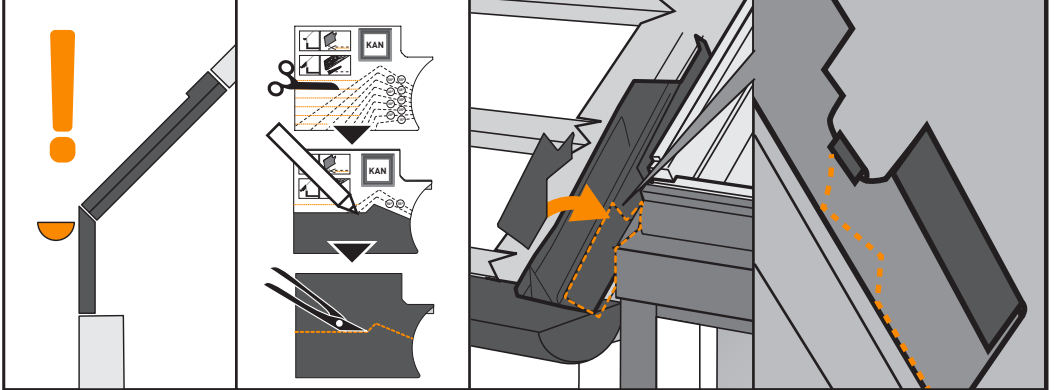
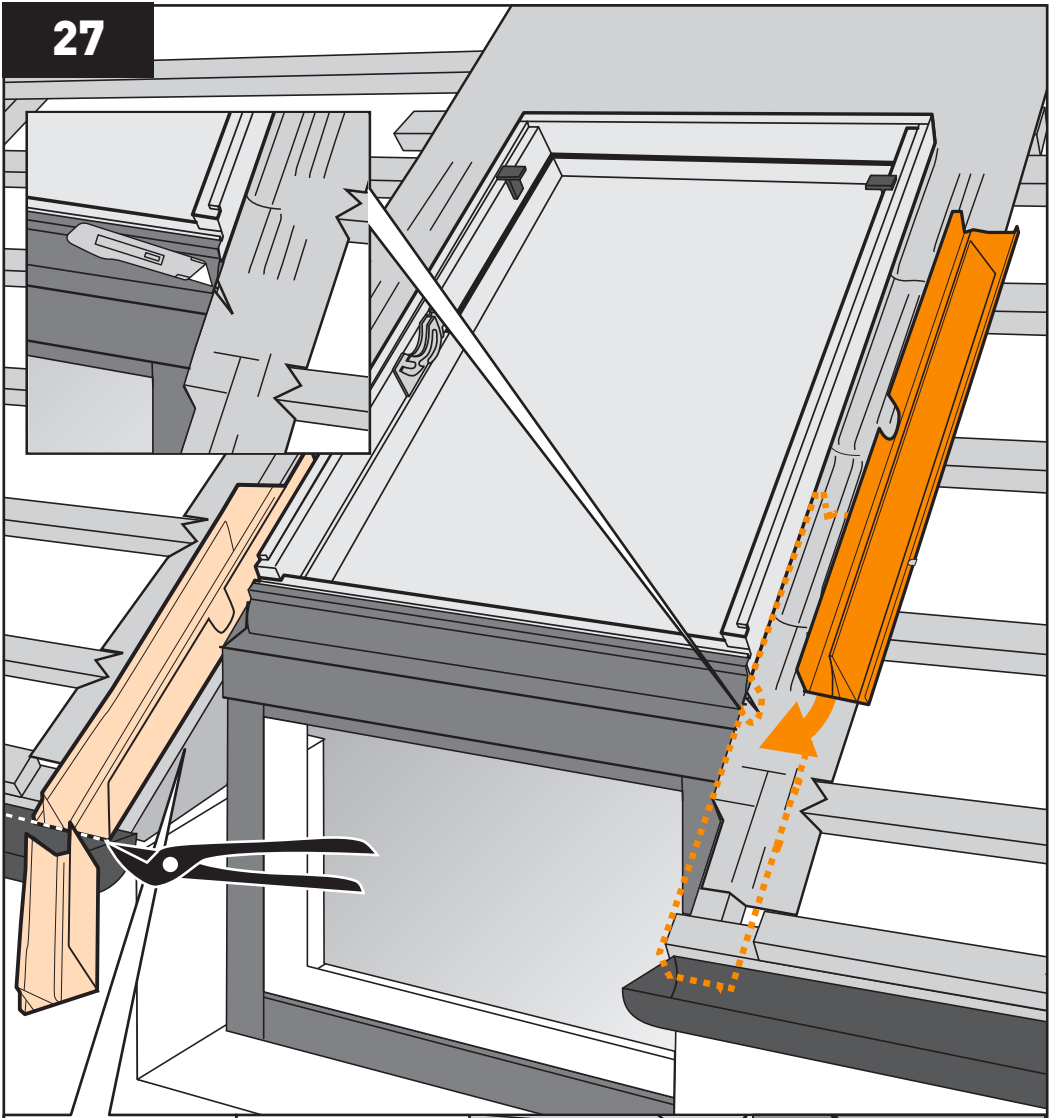
26



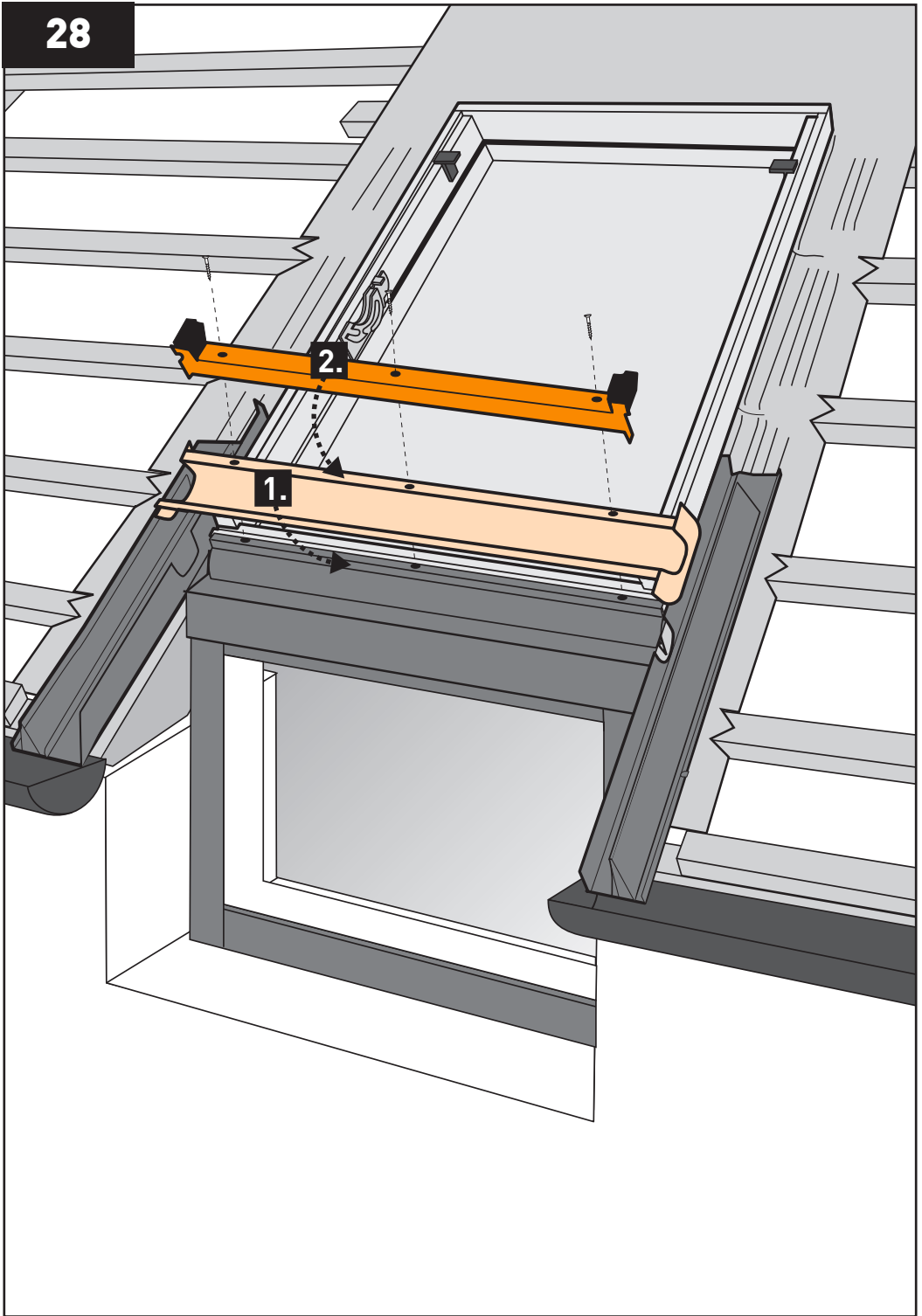
KUN

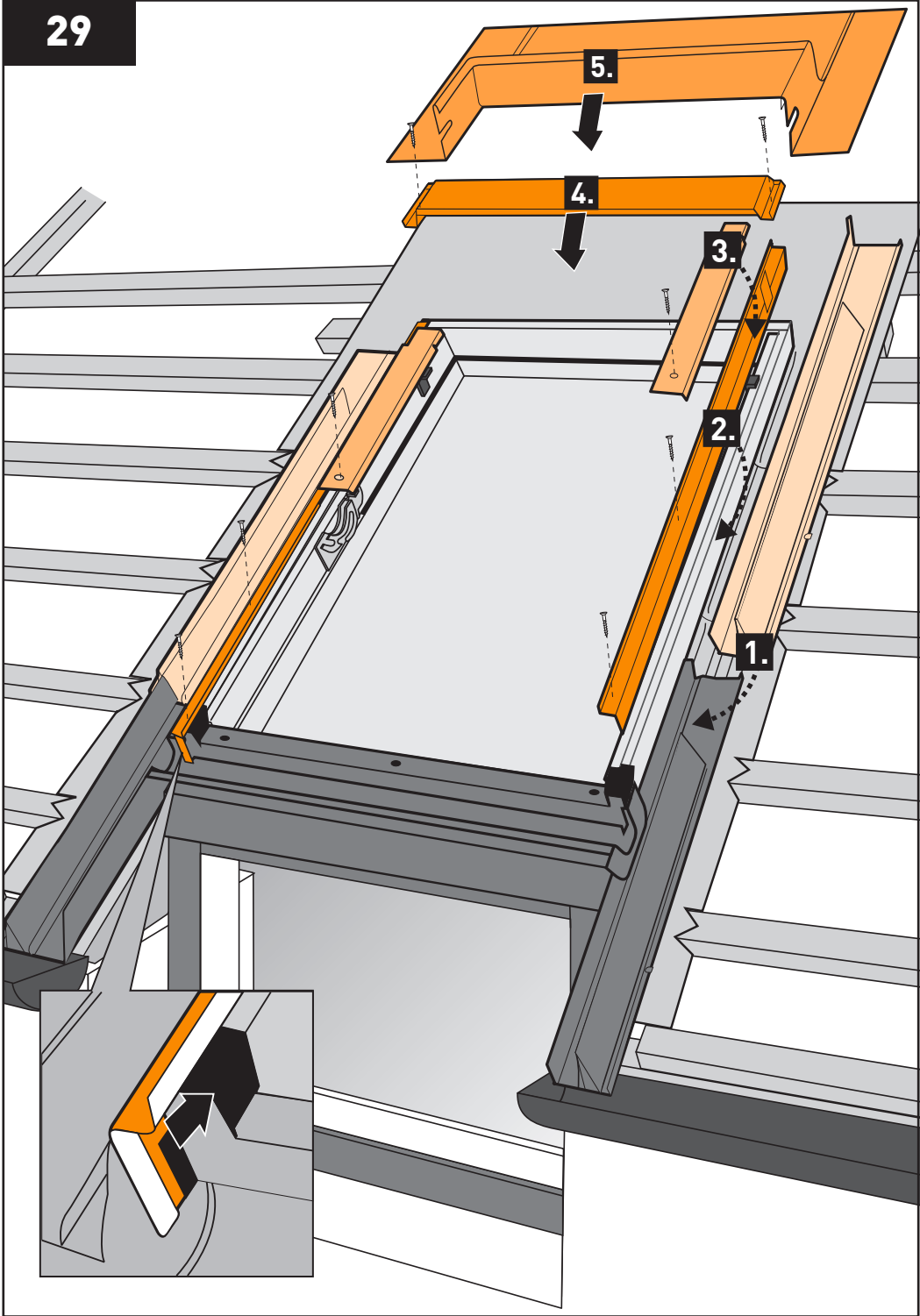


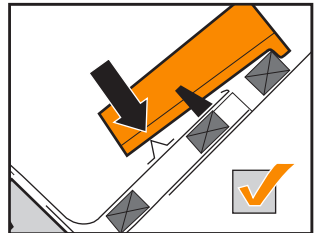
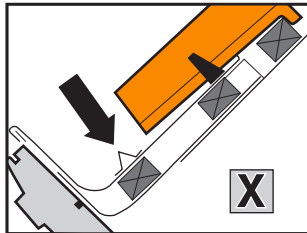
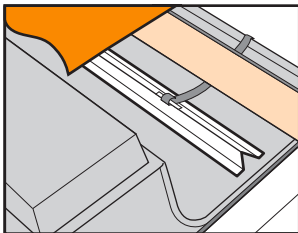
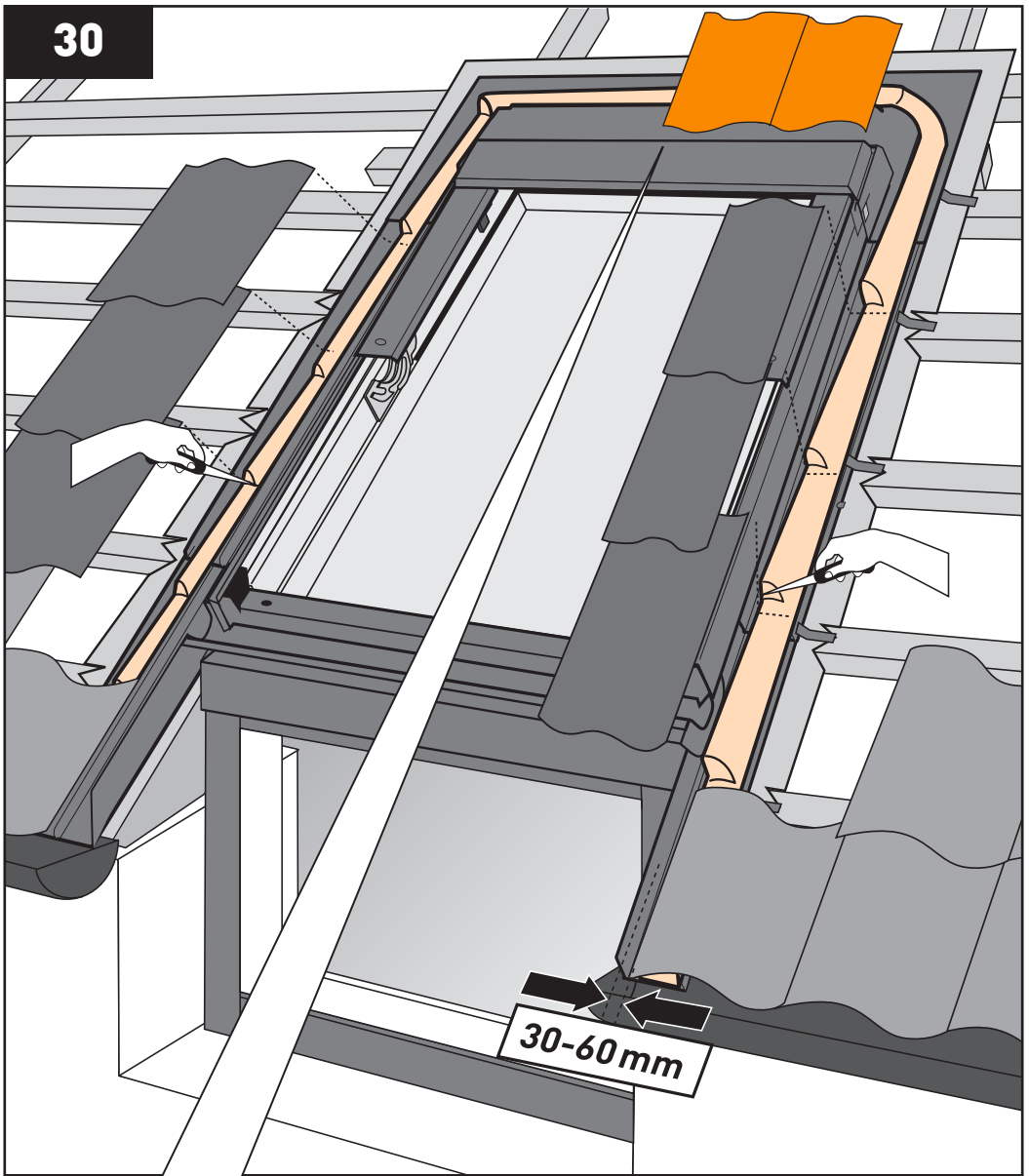
KSN

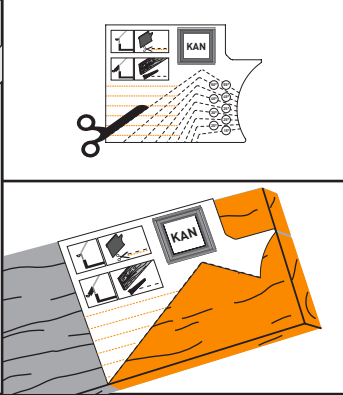
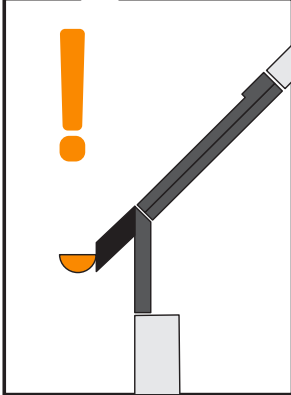
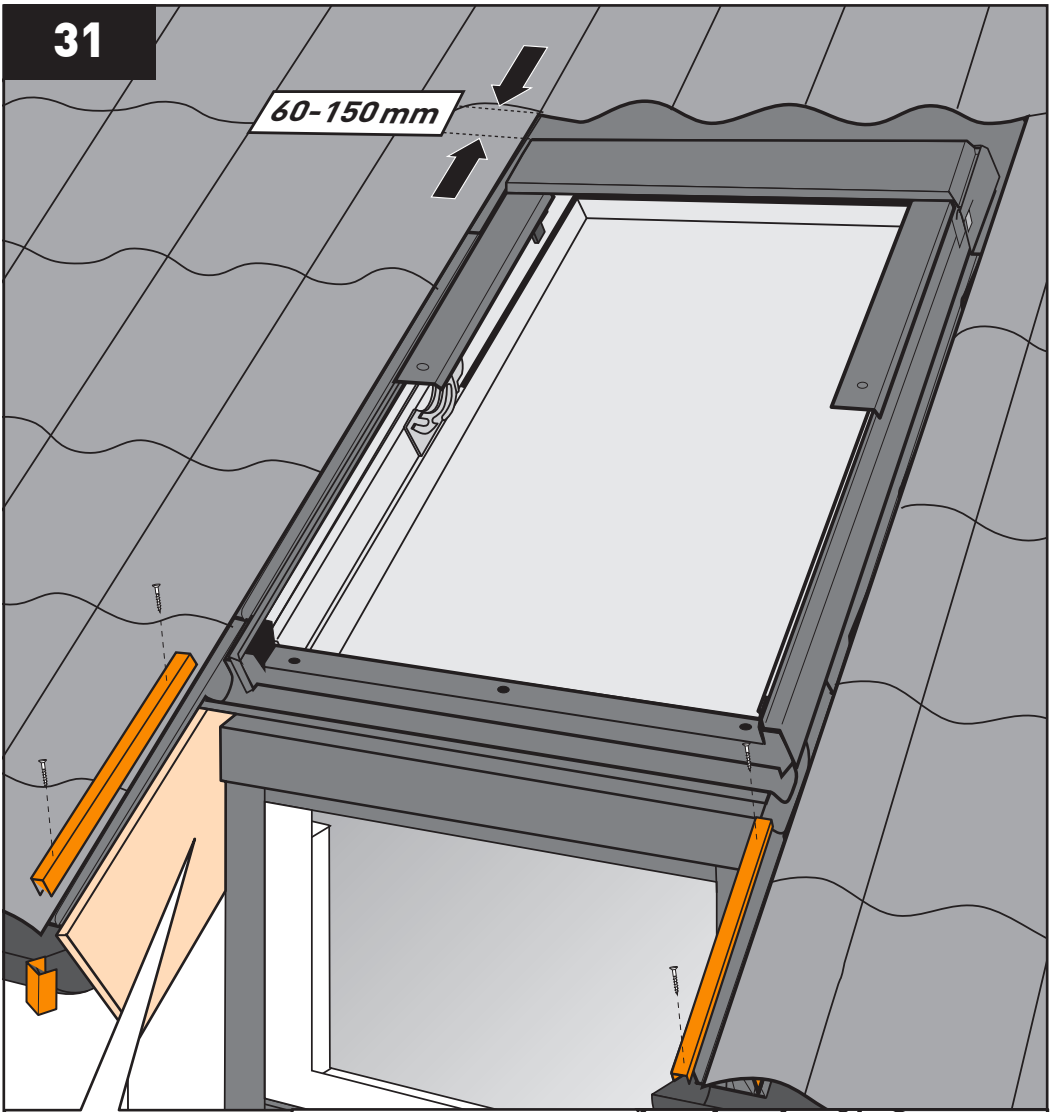


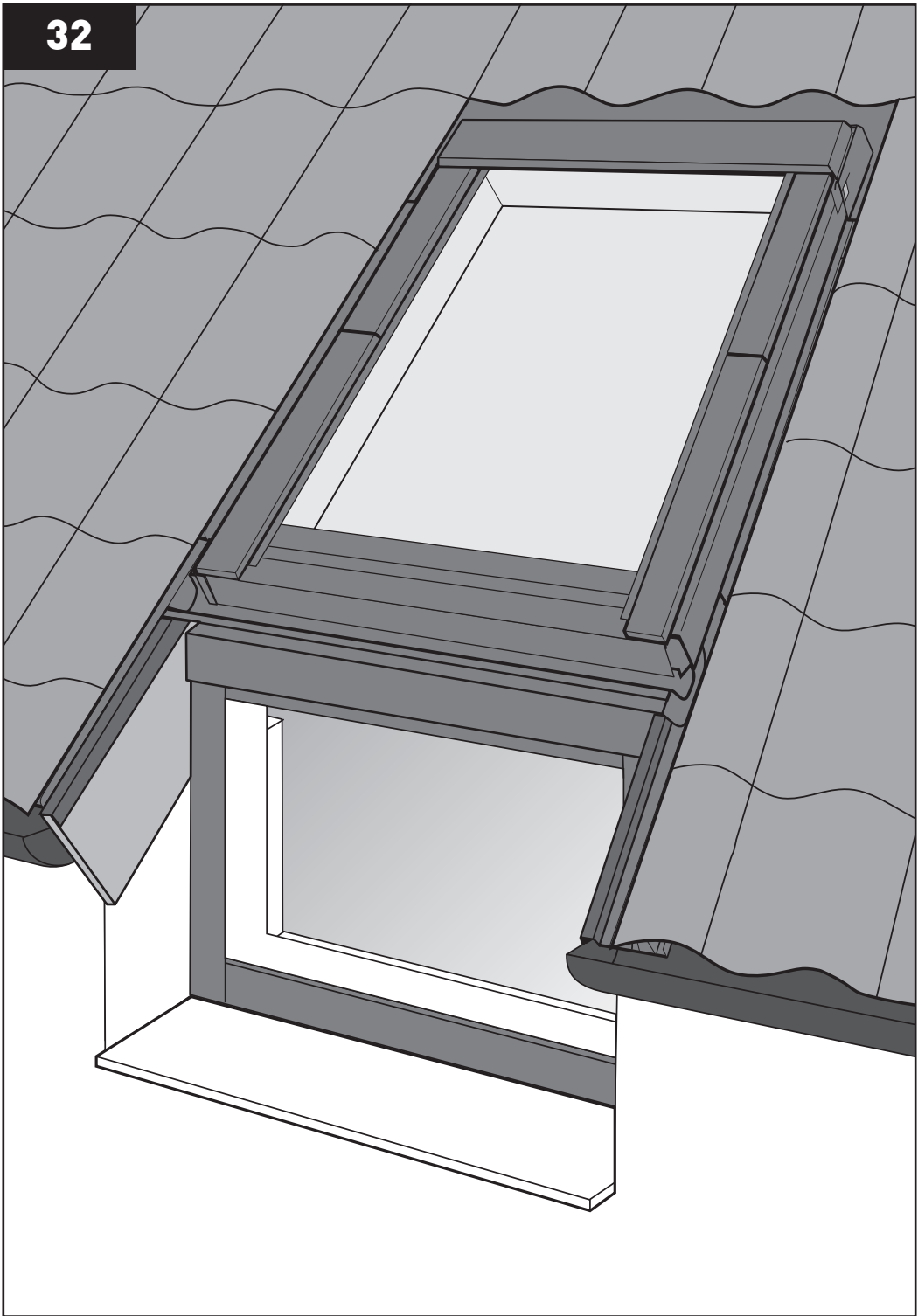


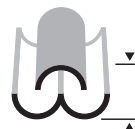
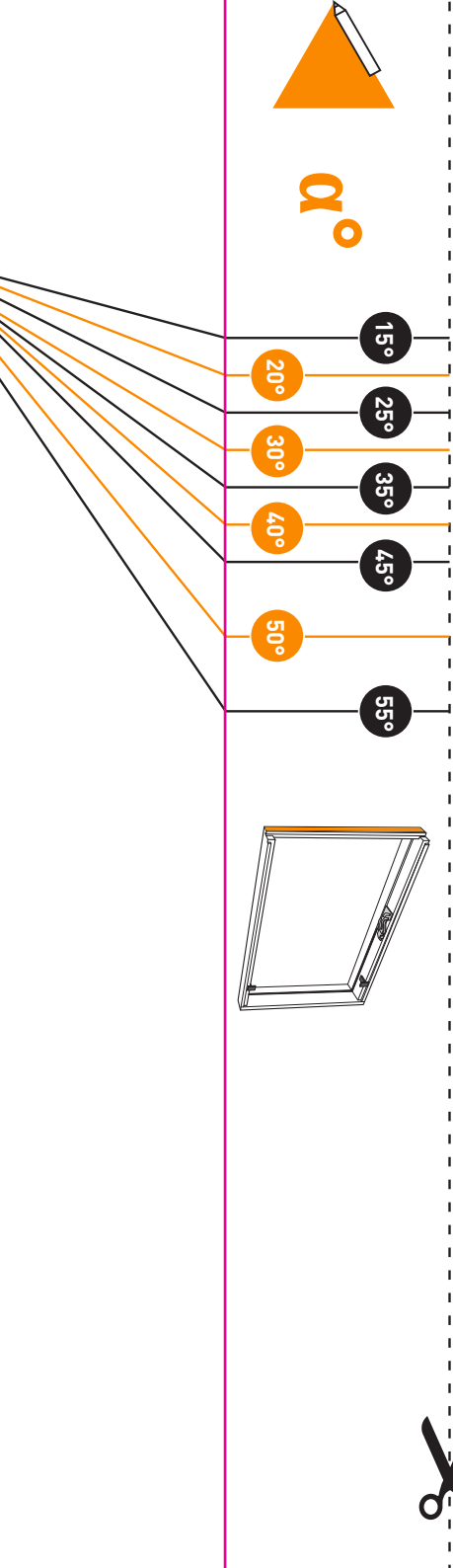








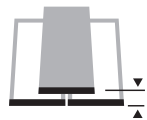




16-120 mm

**KUN**

15-55°

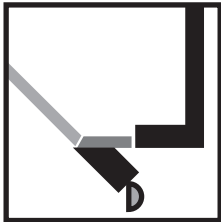
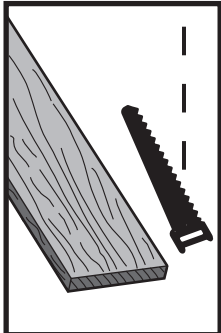
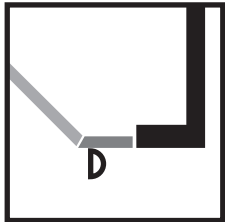
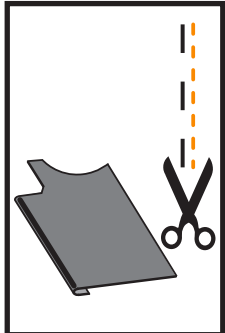


0-16 mm

**KSN**

15-55°





50°

40°

30°

20°

55°

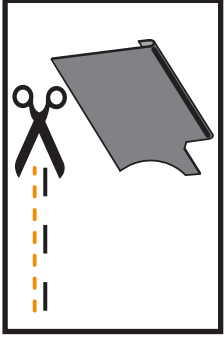
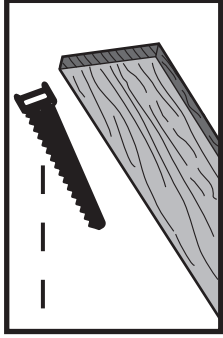
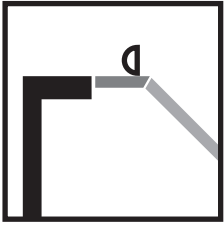
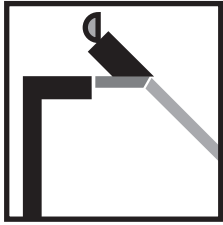
45°

35°

25°

15°





55°

45°

35°

25°

15°

50°

40°

30°

20°

